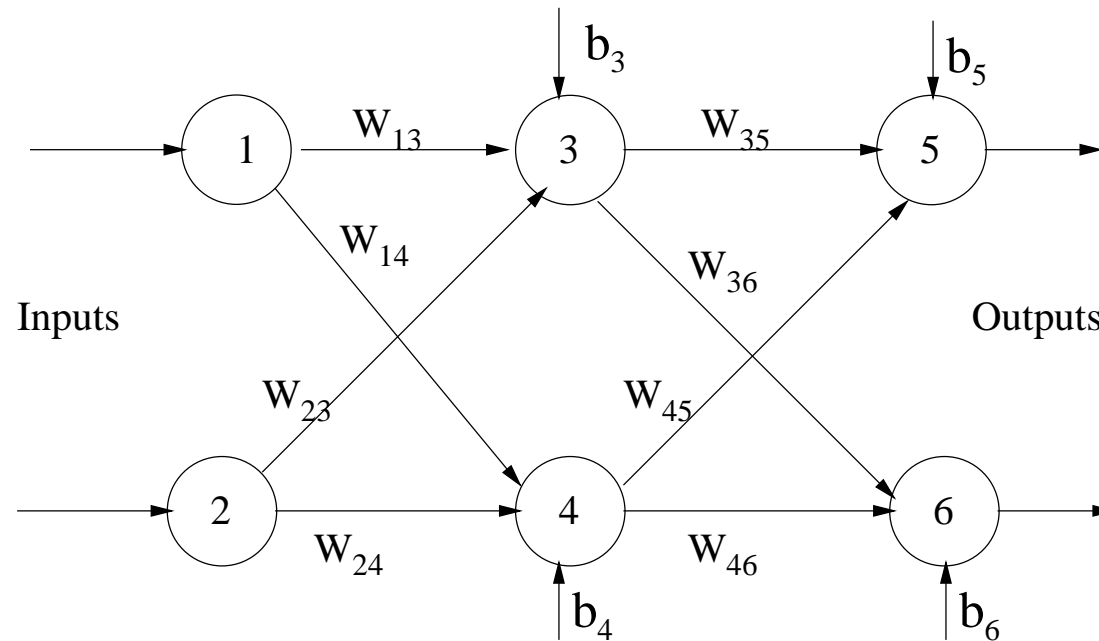


## An Example for BP Algorithm

Given the following partially trained network and training vector, work through one pass of the back propagation algorithm.



Inputs		Outputs	
$I_1$	$I_2$	$d_5$	$d_6$